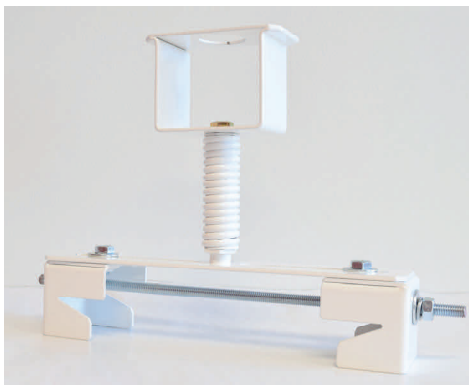


I-Beam Spring Mount for Cisco AIR-ANT2544V4M-R Omnidirectional Antenna

The TerraWave I-Beam Spring Mount is designed to exclusively mount the Cisco AIR-ANT2544V4M-R Omnidirectional antenna on I-Beams in high-traffic areas. The mount spring allows the antenna to flex if bumped to prevent damage. The mount is made of low carbon steel and has a powder coat that provides environmental protection and aesthetic appeal. *Every TerraWave antenna is covered by the company's two-year TerraNet warranty program. For more information, contact a regional sales executive at 210-375-8482, 800-851-4965 or sales@terrawave.com, or visit www.terrawave.com*

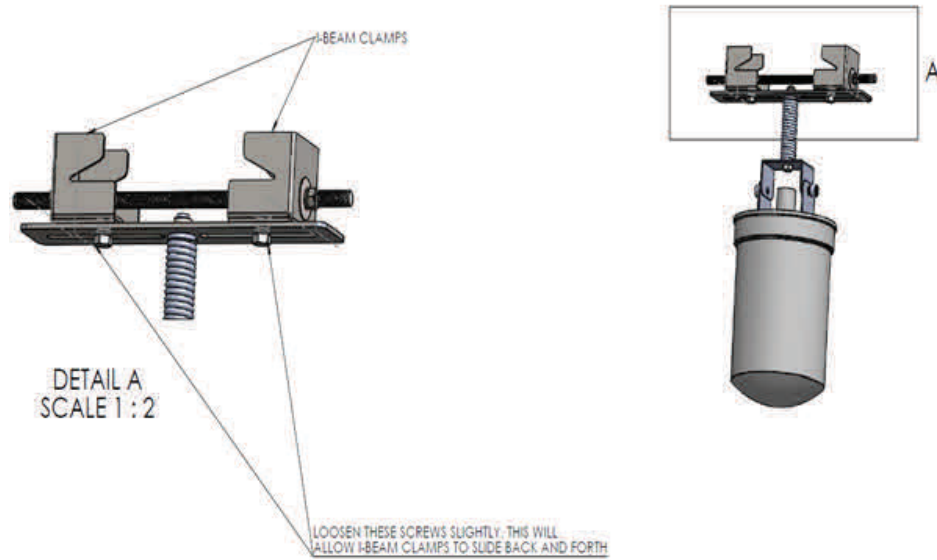


Mount with Antenna Specifications	
Model	TW-IBEAM-2544-MNT
Dimensions	14" (L) x 2" (W) x 9.75" (H)
Weight	3.75 lbs
Material	Low Carbon Steel (with Powder Coat)
Operating Temperature Range	-40°F to +158°F
Mounting Style	I-Beam Clamp
I-Beam Dimensions	4" - 8"
Maximum Load	10 lbs.

I-Beam Spring Mount for Cisco AIR-ANT2544V4M-R Omnidirectional Antenna

Mounting Instructions

Step 1



Step 2

